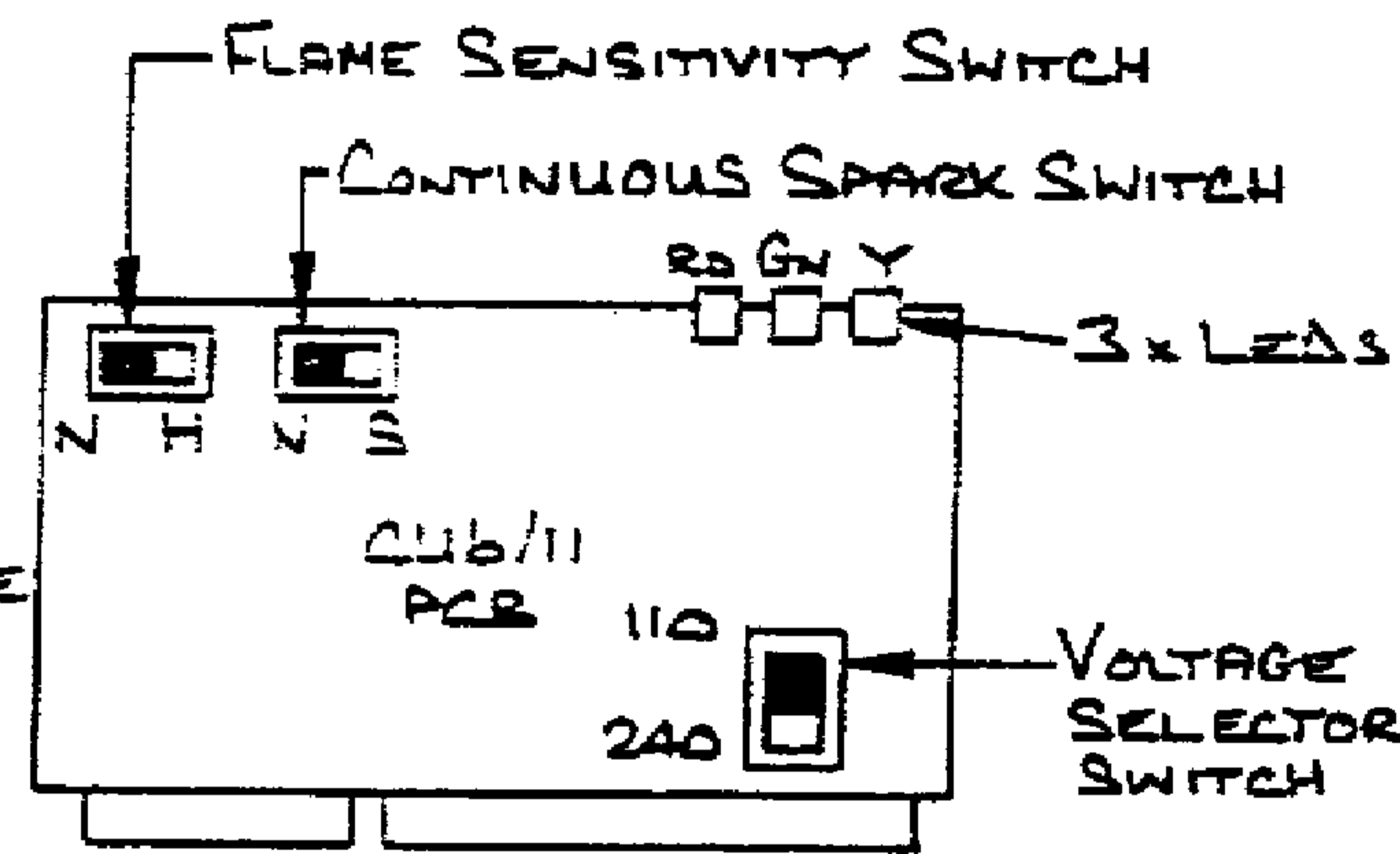
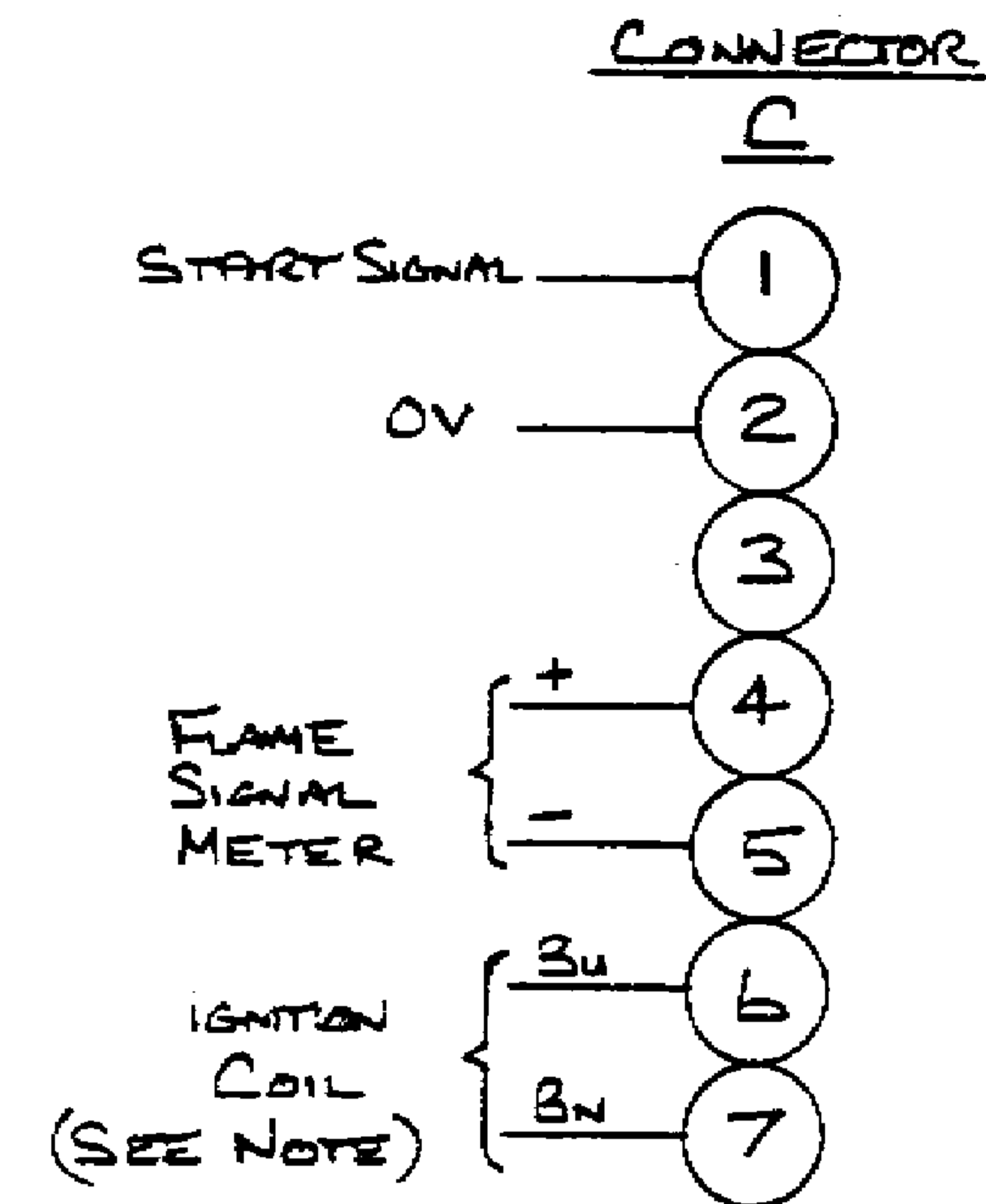
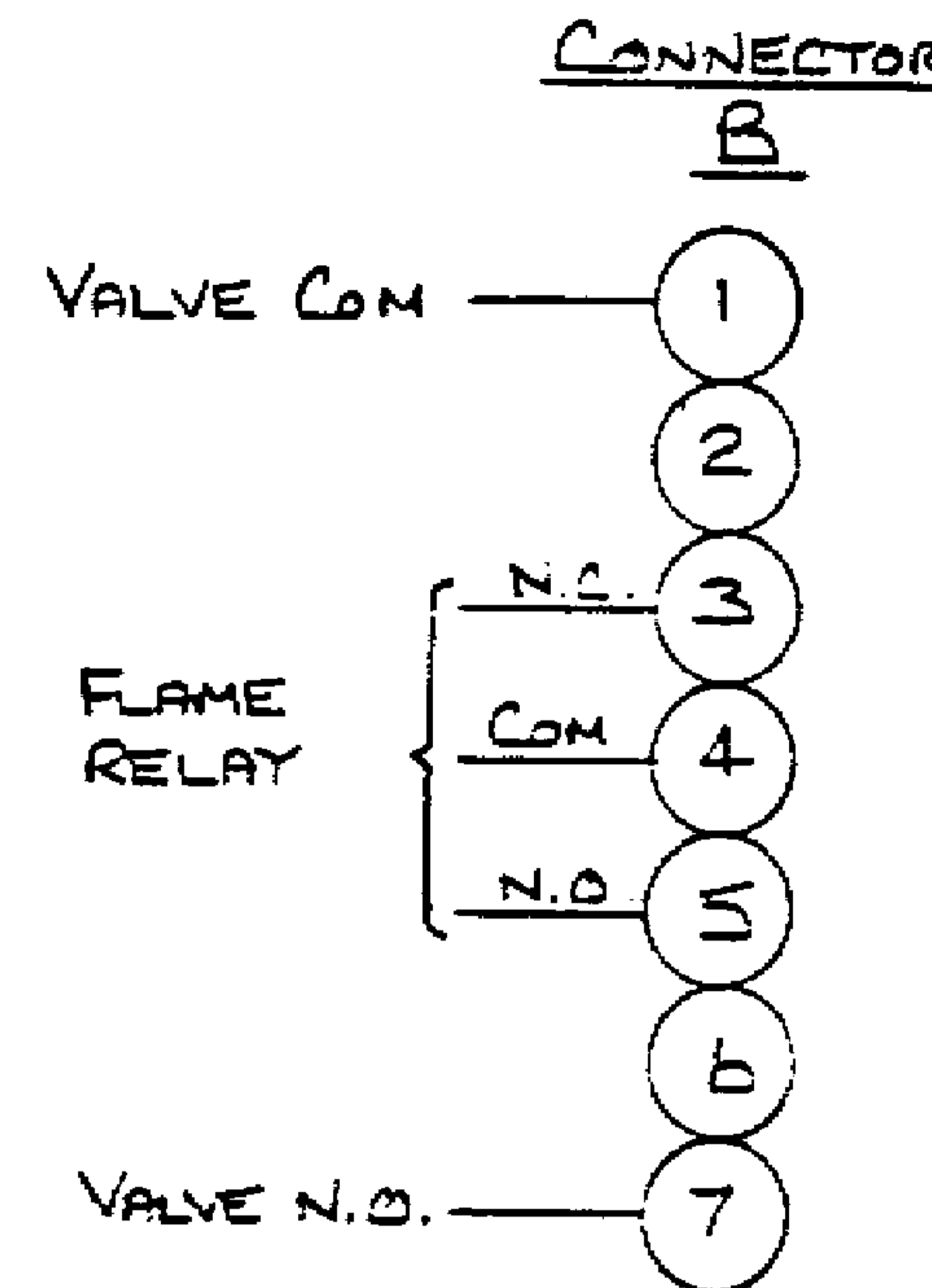
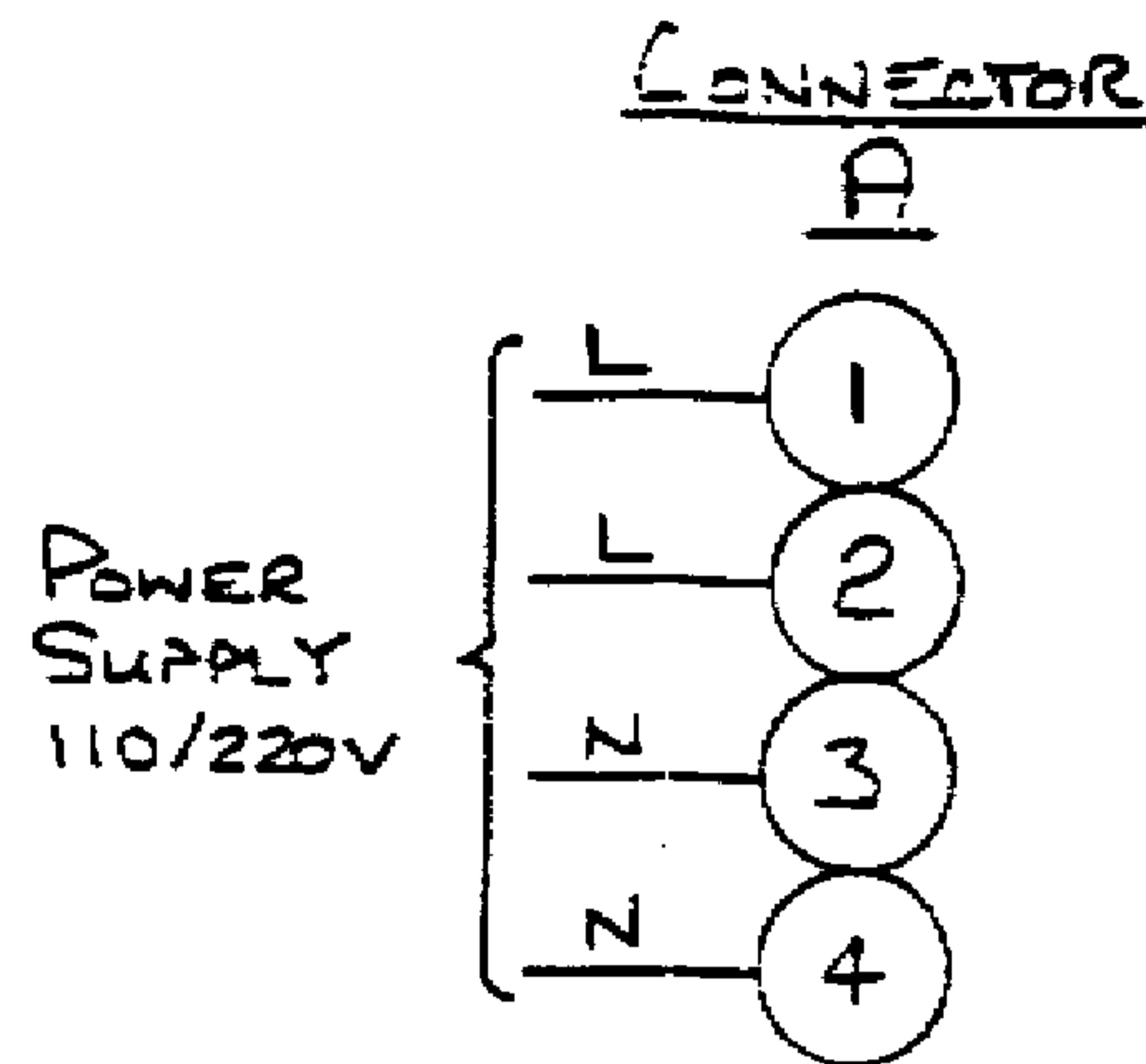
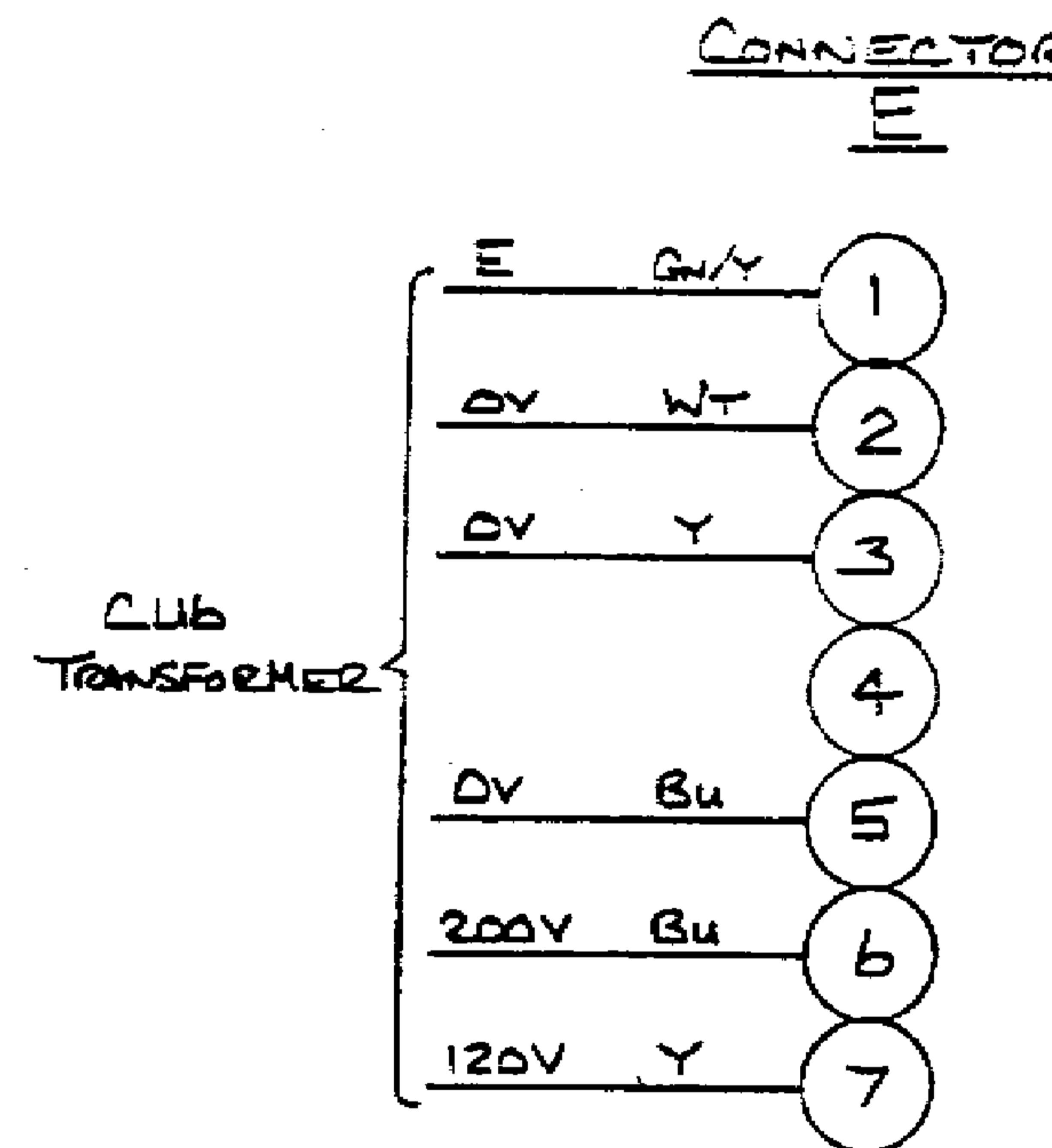
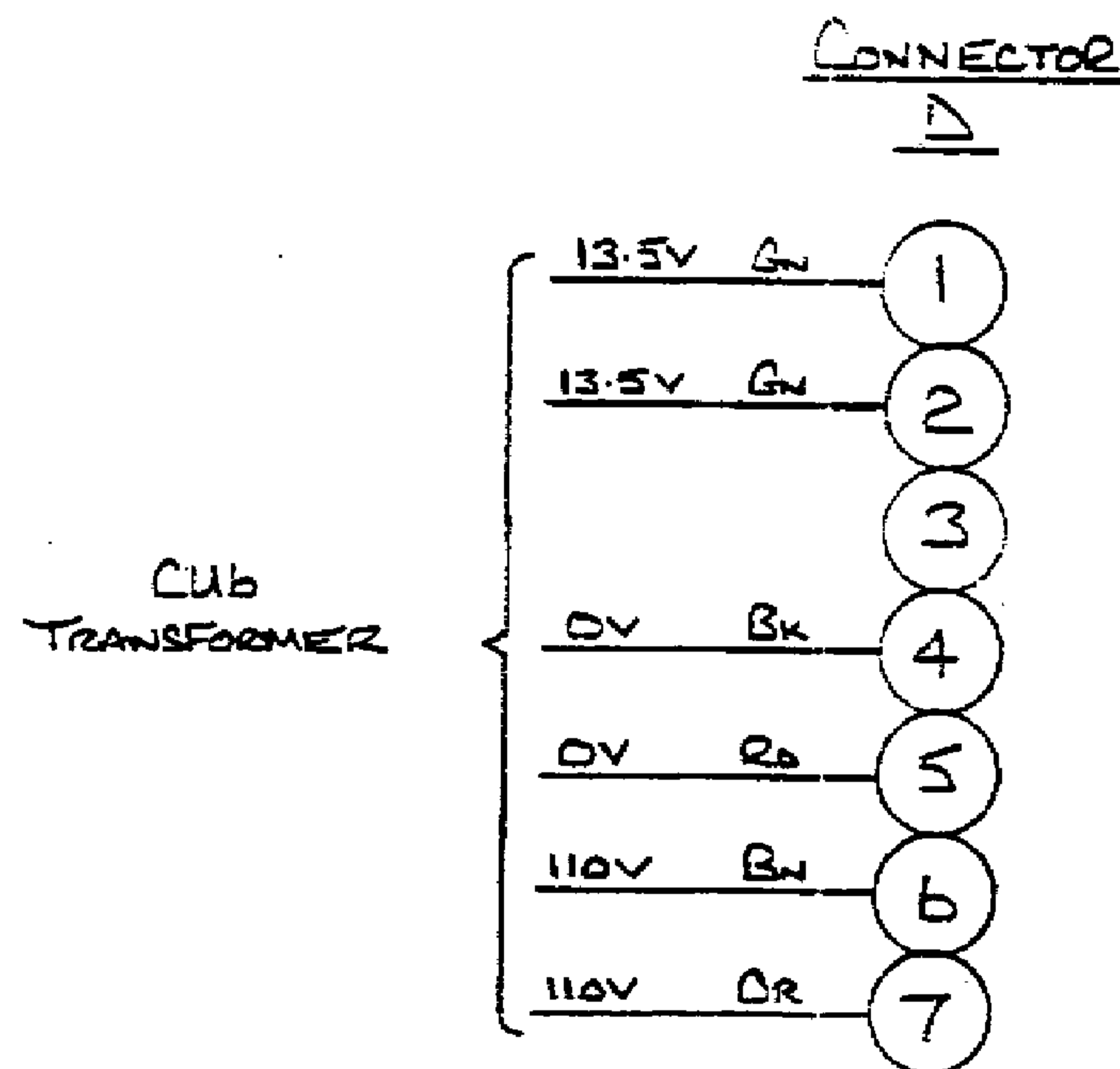


PLAN VIEW OF CUB/11 CONNECTOR PCB



- N - NORMAL
 - H - HIGH
 - D - SPARK MODE ONLY
- LEDS
- Rb - SPARK ON
 - Gz - FLAME ON
 - Y - POWER ON

SWITCHES



CABLE TO IGNITION COIL

CABLE TYPE	TERMINAL		
	C7	C6	C2
BRAIDED	Bw	Bu	Gw/Y
BRAIDED	Bw	Wt	Gw
SWA	Rb	Bu	Y
SWA	1	2	3

EARTH TERMINAL

THIRD ANGLE PROJECTION

IGNITERS COMBUSTION ENGINEERING LIMITED.
 UNIT No 6 PROSPECT DRIVE BOLEY PARK INDUSTRIAL ESTATE LICHFIELD STAFFS WS14 9UX
 TELEPHONE No 01543 251478 FAX No 01543 257850

THIS DRAWING IS THE PROPERTY OF I.C.E. LTD. AND MUST NOT BE COPIED OR REPRODUCED WITHOUT PERMISSION

REV
DATE

©1998

DRAWN RJE	DATE 31-3-98	CHECKED
PART No	MATERIAL	SCALE LENGTH NTS
TITLE CUB/11 PCB WIRING DIAGRAM		
CONTRACT No.	A3/1G/8825	