

PLAN VIEW OF CU7/4 PCB

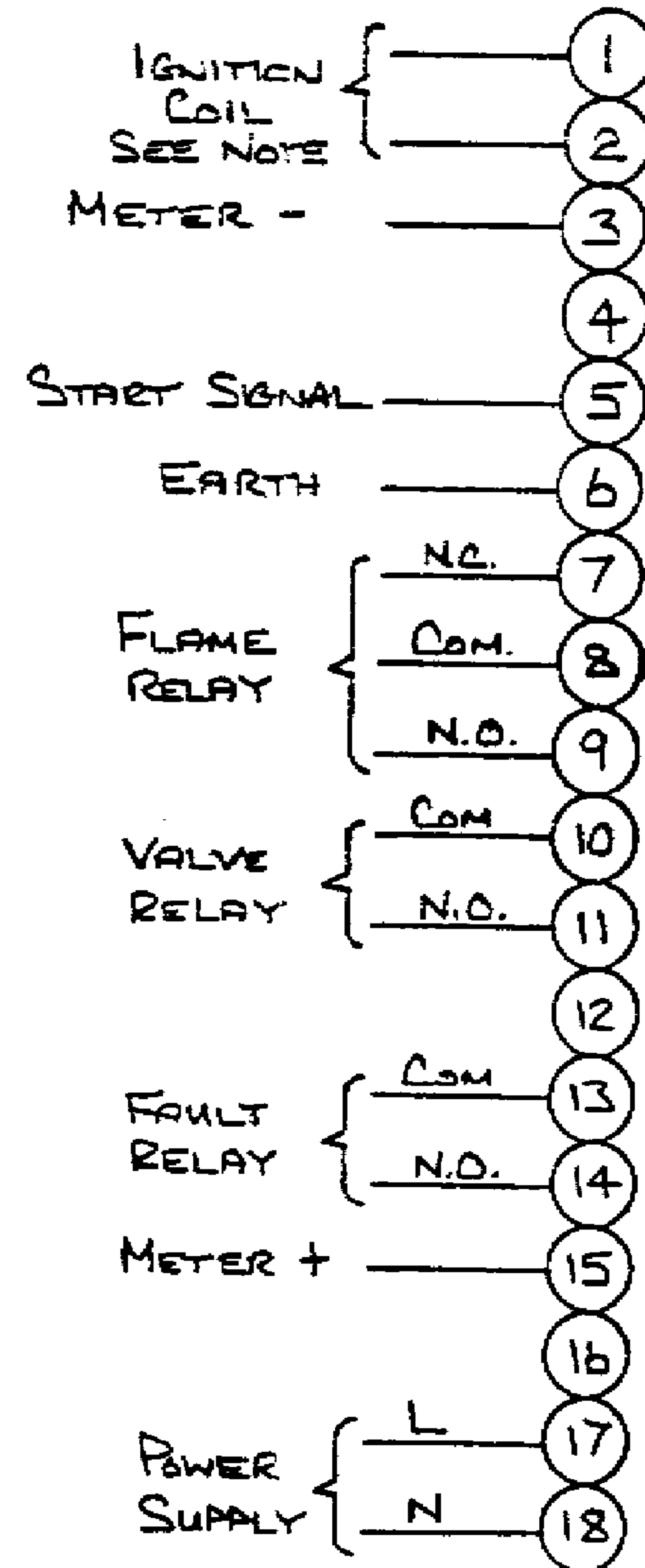
SWITCHES

- SW1 - VOLTAGE SELECTOR
- SW2 - FLAME SIGNAL SENSITIVITY
- N - NORMAL H - HIGH
- SW3 - CONTINUOUS SPARK
- CS - CONTINUOUS SPARK
- N - NORMAL

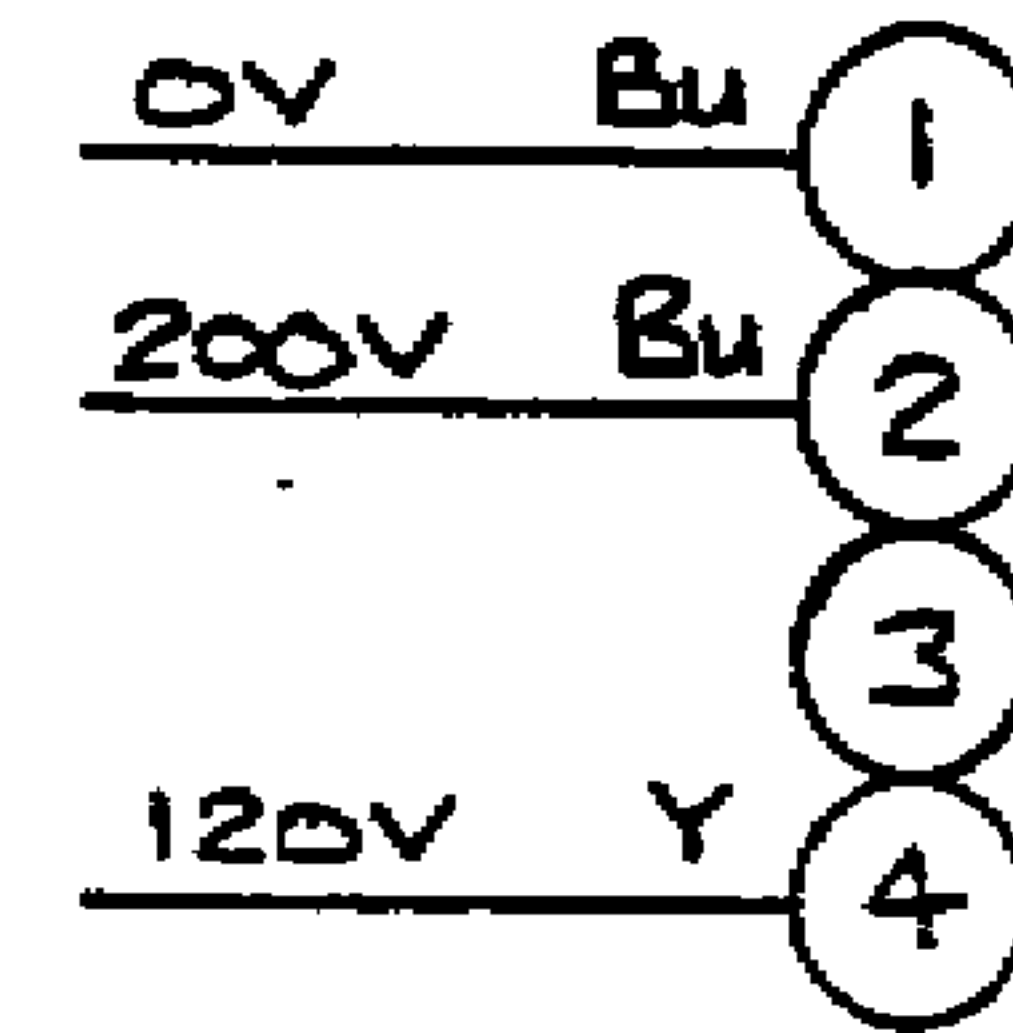
CABLE TO IGNITION COIL

CABLE TYPE	TERMINAL		
	1	2	6
BRAIDED	BN	Bu	GN/Y
BRAIDED	BN	Wt	GN
SWA	Rd	Bu	Y
SWA	1	2	3

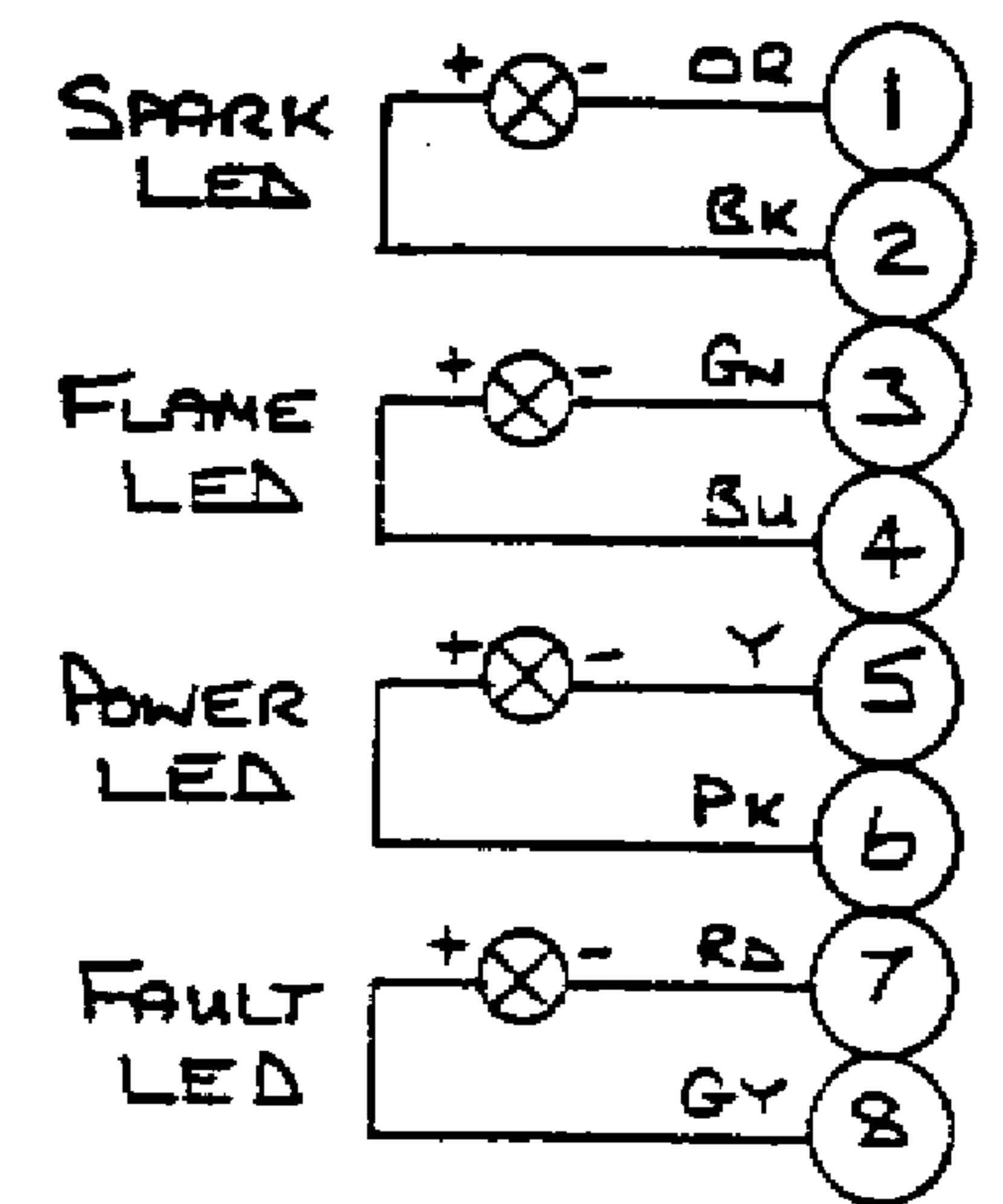
MAIN PCB CONNECTORS



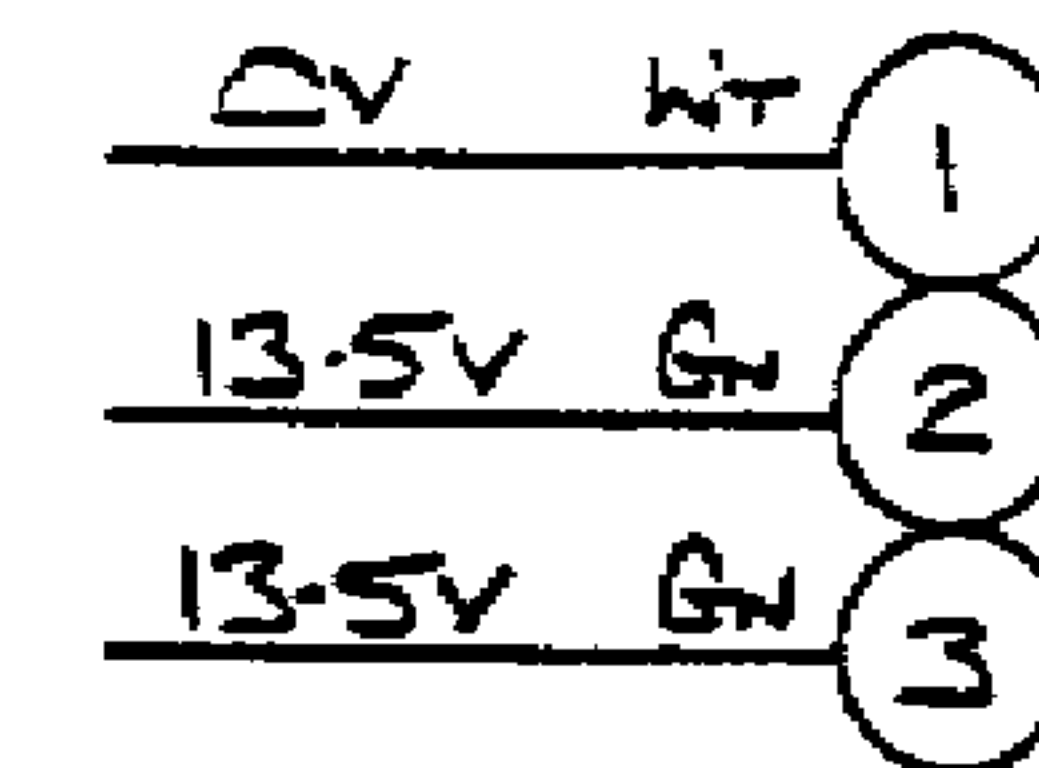
CONNECTOR 'A'



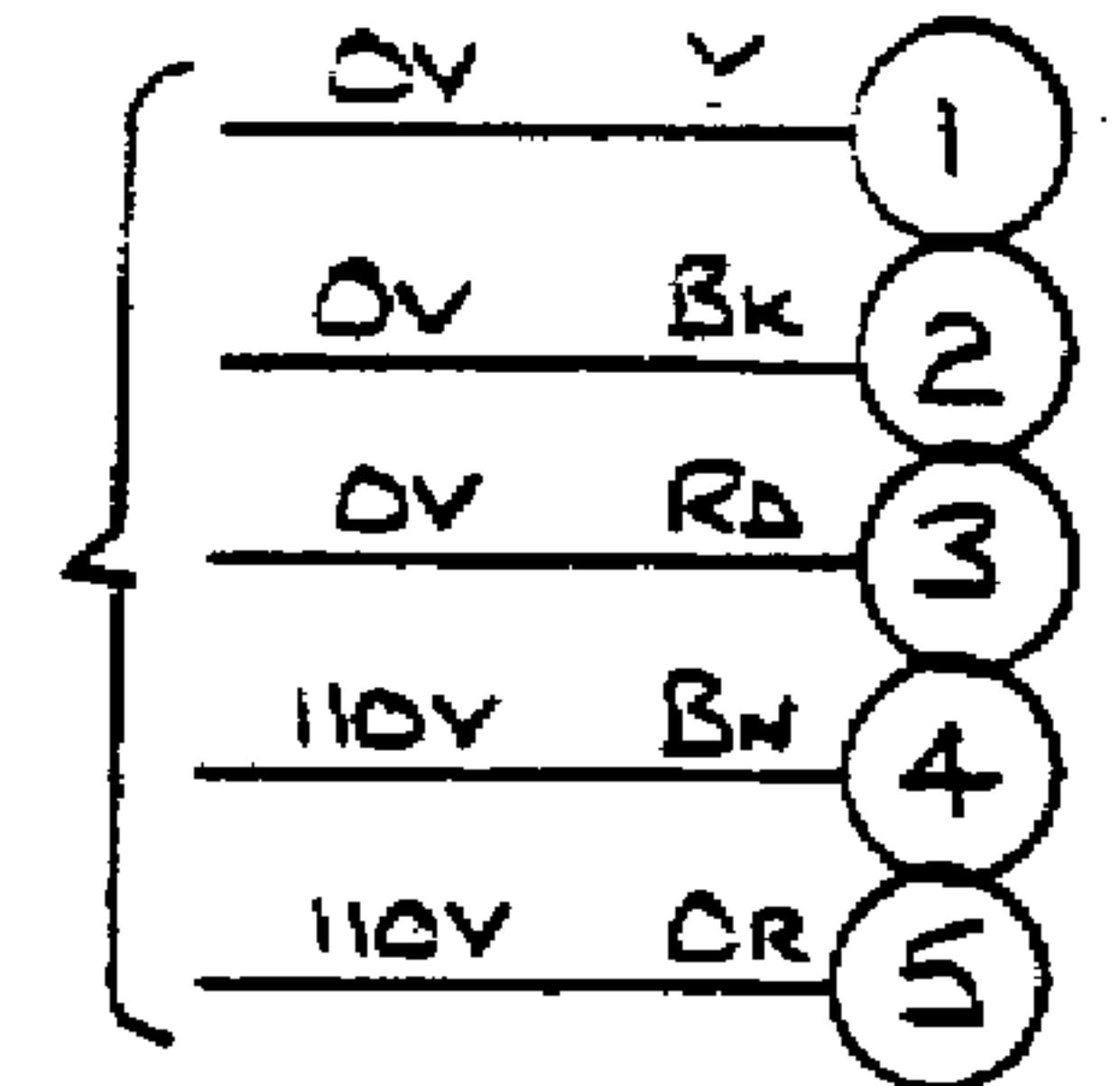
CONNECTOR 'C'



CONNECTOR 'B'



CONNECTOR 'D'



THIRD ANGLE PROJECTION

IGNITERS COMBUSTION ENGINEERING LIMITED.

UNIT No 6 PROSPECT DRIVE BOLEY PARK INDUSTRIAL ESTATE LICHFIELD STAFFS WS14 9UX
TELEPHONE No 01543 251478 FAX No. 01543 257850

THIS DRAWING IS THE PROPERTY OF I.C.E. LTD. AND MUST NOT BE COPIED OR REPRODUCED WITHOUT PERMISSION

REV
DATE

©1998

DRAWN RWE	DATE 1-5-98	CHECKED CC
PART No	MATERIAL	SCALE LENGTH N.T.S.
TITLE CU7/4 PCB WIRING DIAGRAM		
CONTRACT No.	A3/IG/8843	