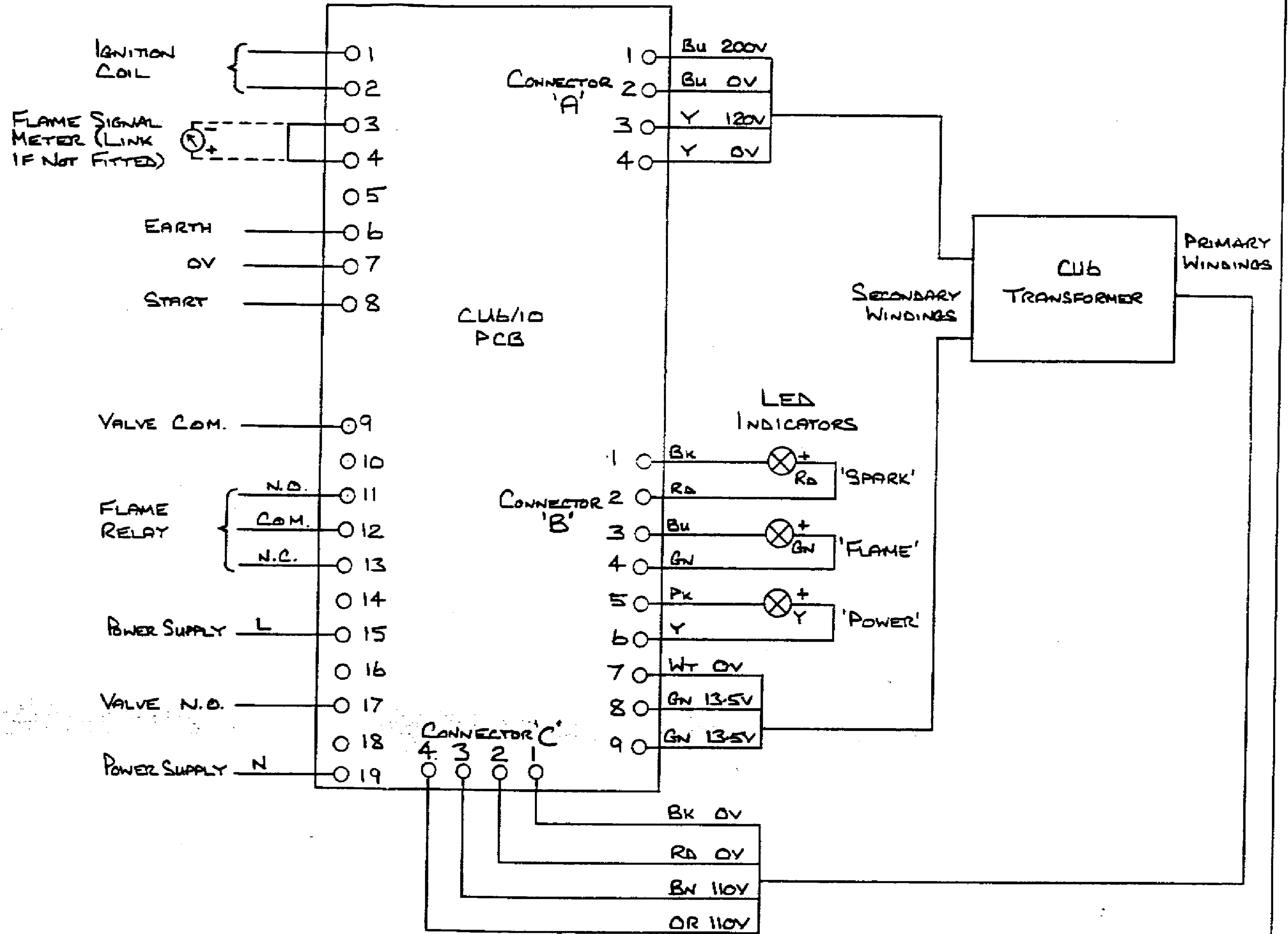


NOTES

1. CABLE TO IGNITION COIL

CABLE TYPE	TERMINAL		
	E	I	Z
BRAIDED	GN/Y	BN	BU
BRAIDED	GN	BN	WT
SWA	Y	Rd	BU
SWA	3	1	2



DRAWN <i>[Signature]</i>	DATE 1-5-98	CHECKED <i>[Signature]</i>
PART No	MATERIAL	SCALE LENGTH NTS

TITLE <u>CUB/10 PCB WIRING DIAGRAM</u>	
CONTRACT No.	A3/1G/2849

THIRD ANGLE PROJECTION

IGNITERS COMBUSTION ENGINEERING LIMITED.
 UNIT No. 6, PROSPECT DRIVE, BOLEY PARK INDUSTRIAL ESTATE, LICHFIELD STAFFS WS14 9UX
 TELEPHONE No 01543 251478 FAX No 01543 257850

THIS DRAWING IS THE PROPERTY OF I.C.E. LTD AND MUST NOT BE COPIED OR REPRODUCED WITHOUT PERMISSION

REV
DATE

©1998